

ORP PEN (OXIDATION REDUCTION POTENTIAL)

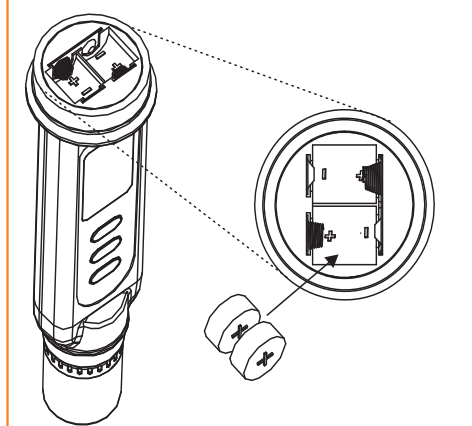


IP65 Low Cost ORP Pen 8552

- Big LCD with real time ORP display in mV
- storage solution bottle to keep sensor wet & last life time
- Application:
 - excellent to use in waste water treatment
 - excellent to use in water disinfection process
 - excellent to use in laboratory



Install the battery with correct polarity:



What is ORP?

ORP is a term used frequently in the water treatment & food processing industry. ORP stands for Oxidation-Reduction Potential. So what is that? The best definition is ORP is a measure of the cleanliness of the water & its ability to break down contaminants.

- 0-150mV: No practical use
- 150-250mV: Aquaculture
- 250-350mV: Cooling Towers
- 400-475mV: Swimming pools
- 450-600mV: Hot Tubs
- 600mV: Water Disinfection
- 800mV: Water Sterilization
- 300mV: Alkaline Water

Ordering Code

VZ8552AZ, 8552 ORP pen

Model	8552
mV range	-999mV~+999mV
mV accuracy	+/- 4mV
mV resolution	1 mV
LCD size	30(H)x18(W)mm
Operating temp.	0~60°C
Operating RH%	Humidity<80%
Storage temp.	-10~60°C
Storage RH%	Humidity < 90%
Sensor life time	>6 months (with good maintenance)
Dimension	165(L)x35(W)x32(H)mm
Weight	115g
Battery	LR44 x 4pcs
Optional	N/A
Standard Package	Meter/Battery/Manual/Paper box



Waste water treatment



Water disinfection



Aquaculture



Alkaline water generator